



NCI Model 7820 Parcel Shipping Scales

The 7820 is simple to use, durable, accurate and reliable. This NTEP approved scale fits into any operation as a stand-alone scale, interfaced to a shipping manifest software, or receiving station.



NCI Model 7820 shown with standard flat shroud.

FEATURES & BENEFITS

- > **Display Controls ZERO:** Includes Auto Zero Tracking or Manual push button to re-establish zero reference. **TEST:** Runs a diagnostic test to ensure scales is fully functional, and allows a real-time view of internal settings.
- > **Construction** Stainless steel weight platter, die cast aluminum base.
- > **Field Calibration** Alternate span points can simplify field calibration by using less than full capacity weights. Can be set-up as either decimal pound or kilogram.
- > **RS-232 Cable** Included with each scale, DB 9-pin, null modem, female connector allows you to connect to a PC.
- > **Emulation Protocols** Standard NCI default with field configurable settings of 8213, 3835, SMA, and Auto Weight Send. This allows you to select compatible scale communication settings or scale drivers during field installation when interfacing with shipping software programs or host devices.
- > **Internal Display** 1/2" high, six-digit LCD.

SPECIFICATIONS

Capacity (lb)	Capacity (kg)
100 x 0.02 lb	50 x 0.01 kg*
150 x 0.05 lb	60 x 0.02 kg*

Note: Default configuration as weight classifier.

**Metric weighing can be configured in the field during calibration.*

Internal Resolution: 1 part in 120,000.

Dimensions: 12.5" x 14.1" x 4.1"
(317.5 mm x 358.1 mm x 104.1 mm).

Power: 120 VAC (+10% -15%), 60 Hz, standard 3-wire ground.

Operating Environment:

Temperature: 42° F to 104° F (5° C to 40° C)

Relative Humidity: 10 to 95% (non-condensing).

Agency Approvals:

United States: NTEP #95-070A5

Canada: MOI #AM-5076 Rev 2

For use as a Class III device from +5° C through 40° C

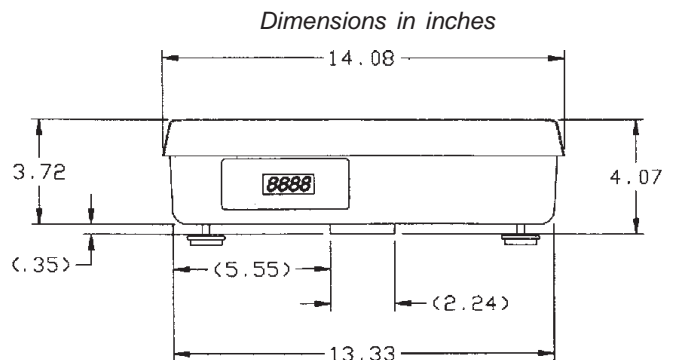
Input/Output: RS-232, bi-directional, configurable 1200 – 19.2K baud. Transmits weight and scale status whenever ASCII "W" <CR> is sent by a remote device.

Shipping Weight: 21 lbs / 10 kg, standard configuration.

OPTIONS

- > **Ball-Top Weight Platter** Stainless steel, using 9 roller balls to simplify handling and transport of all parcels.
- > **Display Post** 12" post for remote display.
- > **International Power Supply** 230 VAC, 50 Hz power supply. End of cable terminated with a universal conductor.
- > **Remote Display** Six-digit LCD housed in an extruded enclosure with a 7 ft. cable.

DIMENSIONS



A division of Weigh-Tronix, Inc
 1000 Armstrong Drive
 Fairmont, MN 56031 USA
 Telephone: 507-238-4461
 Facsimile: 507-238-4195
 www.wt-nci.com

Weighing Solutions for Mailing and Shipping Operations